

# KOHLER

## K-27816T-2HD CAIRN 玄石

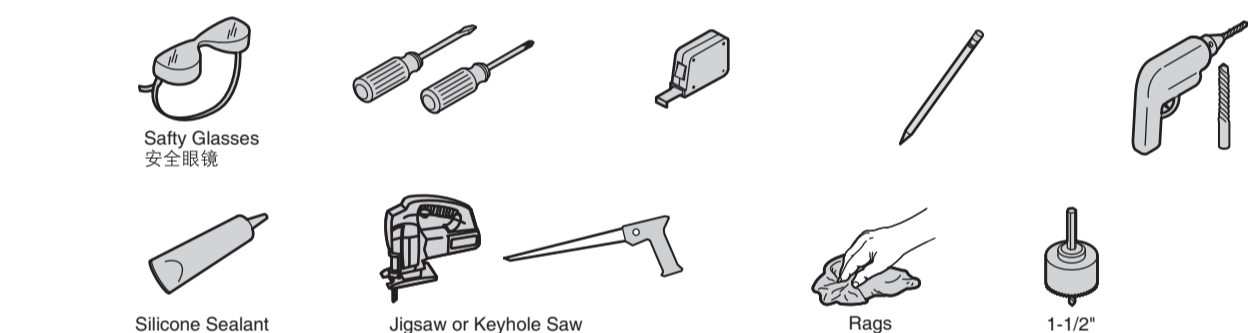
### BEFORE YOU BEGIN

- Read the installation instructions before using the product.
- Observe all local plumbing and building codes.
- Shut off the hot and cold water supplies.
- Prior to installation, unpack the new sink and inspect it for damage. Return the sink to its protective carton until you are ready to install it.
- Inspect the drain and supply tubing. Replace if necessary.
- All information in these instructions is based on the latest product information available at the time of publication. Kohler reserves the right to make changes at any time without notice.
- This product complies with Q/KLCW 5.

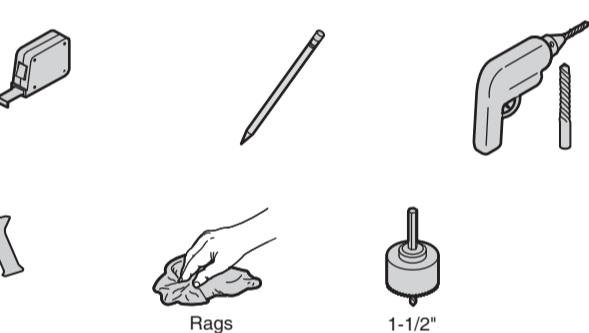
### IMPORTANT INFORMATION

The cutout for the faucet holes (if needed) should be completed prior to this installation. If this product is not installed according to the steps in this guide, damage may occur to this product. For undercounter installations: To ensure the weight of the sink is properly supported, the entire perimeter of the sink rim must rest on the wood frame. For undercounter installations: Use proper techniques to ensure that the wood frame will support a minimum of 100kg. Observe all local plumbing and building codes. Undercounter sinks should be installed by experienced installers. Prior to installation, unpack the new sink and inspect it for damage. Return the sink to its protective carton until you are ready to install it. Inspect the drain and supply tubing. Replace if necessary. Kohler reserves the right to make revisions in the design of products without notice, as specified in the Price Book.

### TOOLS



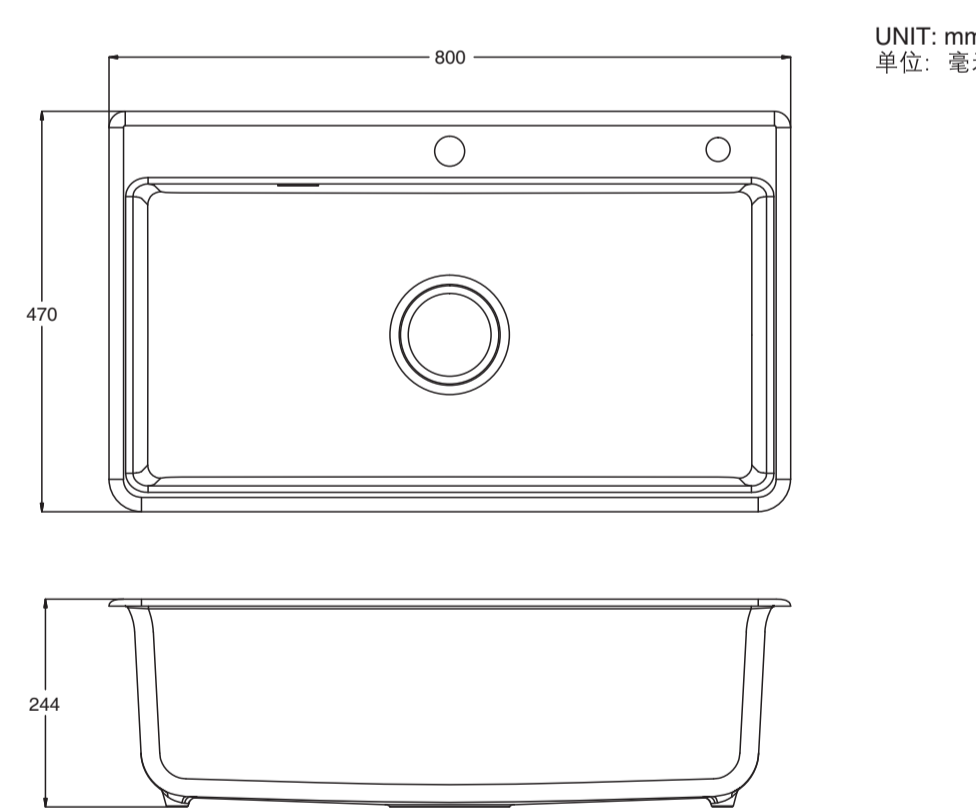
### 工具



### ROUGHING-IN

Reference Value  
参考值  
T=7.0/13.5  
厚度: 7.0/13.5

### 尺寸图



UNIT: mm  
单位: 毫米

FOR UNDERCOUNTER INSTALLATION  
专用于台下安装  
沿此线切割

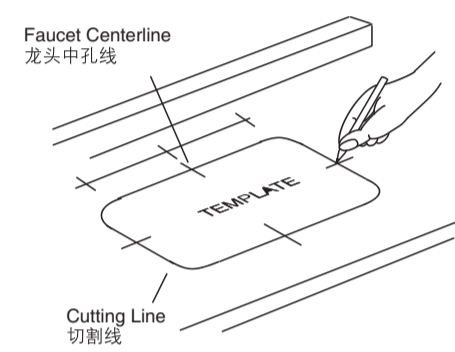
FOR SELF-RIMMING INSTALLATION  
专用于台上安装  
沿此线切割

RIM OF SINK  
水槽边缘

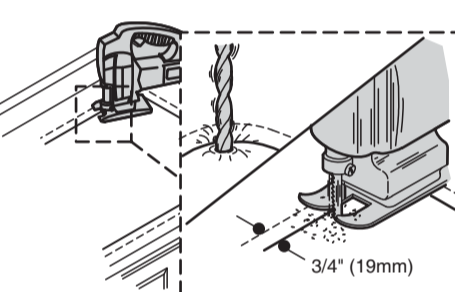
### INSTALLATION

#### Above Counter Installation

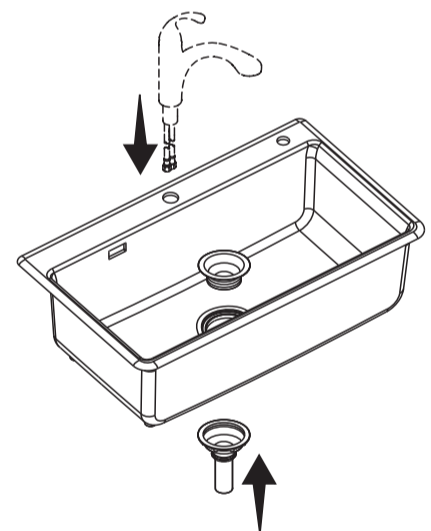
- Verify cabinet clearance.
- Cut out the template.
- Line out the dotted line on the template.
- Position the template on the countertop in the desired location. Make sure the template is secured firmly in place so it cannot move.
- Check for adequate clearance between the sink, faucet and backsplash. Verify that the sink will not interfere with the cabinet during installation.
- Trace the outside edges of the template with a pencil.



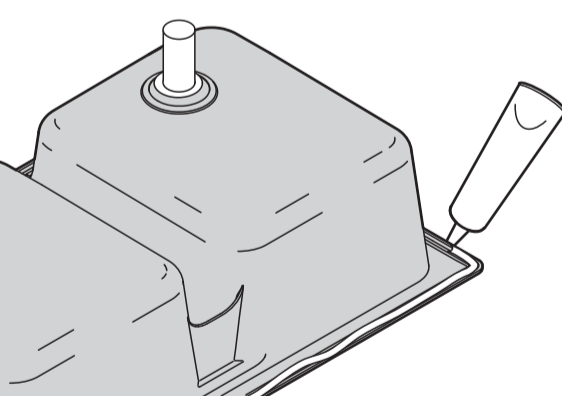
- Cut the countertop opening.
- Choose the correct cutting tool for the countertop material!



- Verify fit. Adjust cutout if needed.
- Install the faucet, accessories (if applicable), and the strainers.



- Apply silicone sealant around the rim.

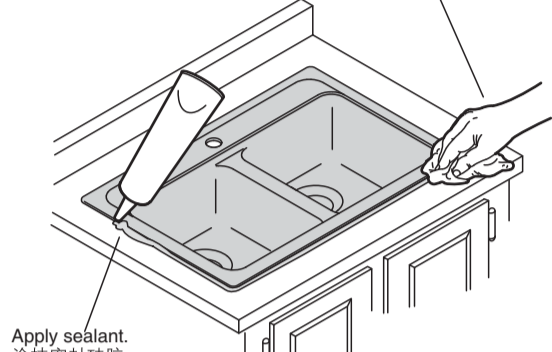


### 安装

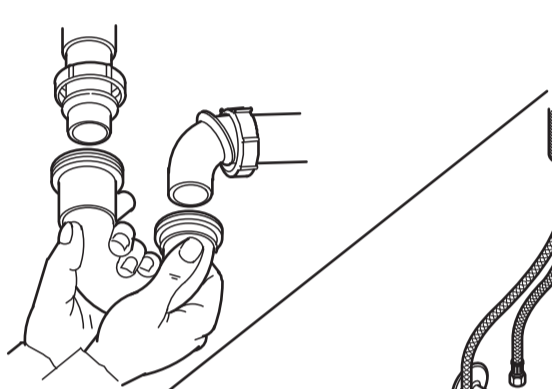
#### 台上式安装

- 清空柜子，预留安装空间。
- 剪出切割模板。
- 沿切割模板上面的切割线剪出切割模板。
- 划出切割线。
- 将模板固定在橱柜台面的理想位置，确保模板已固定到位，无法移动。
- 检查水槽、龙头和后档水板之间有足够的间隙，确保水槽在安装过程中不会同橱柜干涉。
- 用铅笔划出切割模板的外缘。

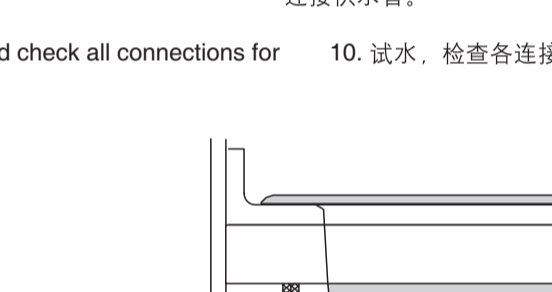
- Wipe away the excess sealant and allow to dry.



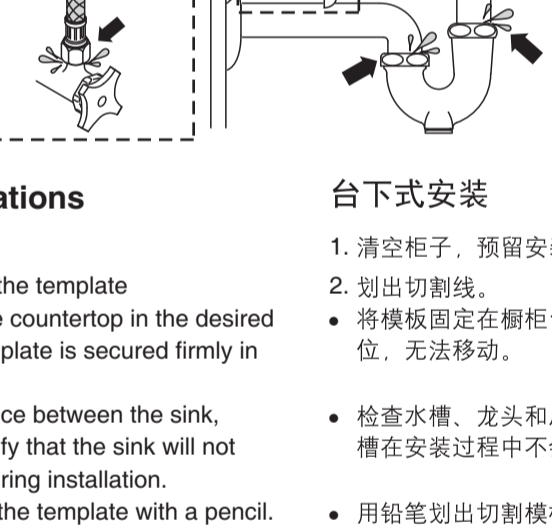
- Make the drain connections.



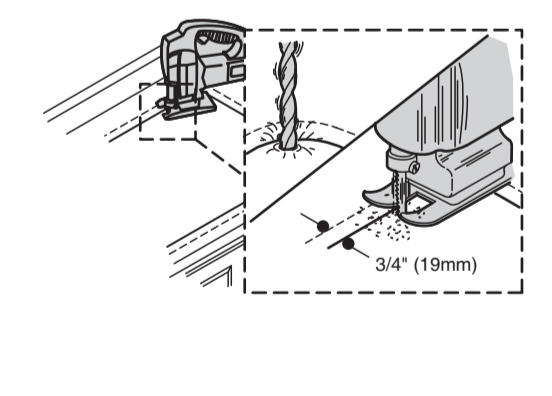
- Run water into the sink and check all connections for leaks.



- Adjust the sink position if needed.
- Install the faucet, accessories (if applicable), and the strainers.



- Apply silicone sealant around the rim.



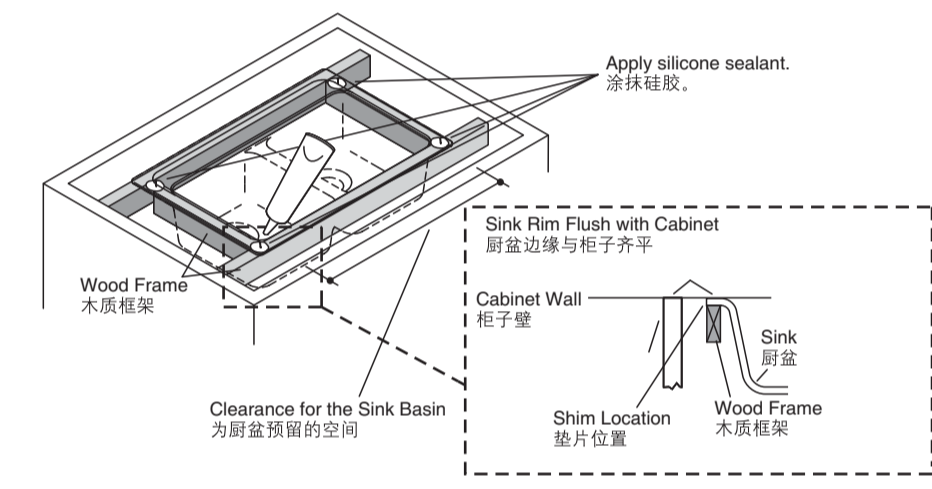
## SGL BASIN SR/UC SINK 单槽台上台下双用厨房 CUT-OUT TEMPLATE / INSTALLATION INSTRUCTIONS 切割图/安装说明书

### 4. Install the strainers and faucet.

- Verify all required holes correspond with the countertop cutout and/or faucet installation. If additional holes are required, refer to the "Drill Accessory Holes (Optional)" section.

### 6. Construct a wood frame

- To ensure the weight of the sink is properly supported with a minimum of 100kg if it is installed by cabinet countertop producer.
- NOTE: To ensure the weight of the sink is properly supported, the entire perimeter of the sink rim must rest on the wood frame.
- Construct a wood frame for the inside of the cabinet. Allow adequate clearance for the faucet valving and sink basin. Ensure the frame will support the entire sink rim.
- NOTE: The frame should be located so that once the sink is installed, the top of the sink rim will be flush with the top of the cabinet. If needed, shims can be used to bring the sink rim flush with the cabinet walls.
- NOTE: Use proper techniques to ensure that the wood frame will support a minimum of 100kg.
  - Apply a 1" (25mm) bead of sealant at each corner of the wood frame where it will contact the sink.



### 4. 安装落水和水龙头。

- 调整直至厨盆的所有安装孔与所切割的台面和/或龙头安装孔相吻合。

### 6. 搭建木质框架

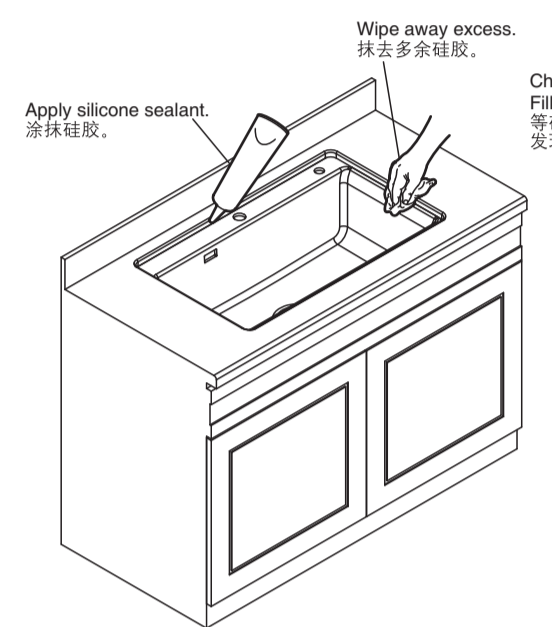
- 如由橱柜台面制作方通过台面处理承重完成安装，需提前告知制作方确保台面可承受不小于100kg的重量。
- 注意：为确保本厨盆的重量得到适当支撑，厨盆的整个边缘必须搁置于木质框架上。
- 在柜子内部搭建一个木质框架，为龙头阀门和厨盆预留足够空间，请确保木质框架足以支撑整个厨盆边缘。
- 注意：木质框架须搭建于适当位置，以便厨盆安装后，厨盆边缘能够与柜子顶部齐平。若有必要，可使用垫片，以辅助两者达到齐平。
- 注意：使用适当的安装技巧，以确保木质框架至少可以承受100kg的重量。
  - 在木质框架与厨盆接触的每个角落涂抹1" (25mm)厚的硅胶。

426mm  
440mm

R25mm  
R25mm

### 7. Install the sink

- Lower the sink into the cabinet. Verify the entire perimeter of the sink rim is supported by the wood frame.
- Verify the sink is level. Make any adjustments as needed.
- Apply a thin bead of silicone sealant where the sink meets the countertop. Immediately wipe away any excess sealant with a damp cloth. Fill any voids if needed. Recommend for mold silicone.
- Allow the sealant to cure for at least 30 minutes before proceeding.
- Complete the faucet and drain connections.
- Run water into the sink and check all connections for leaks.

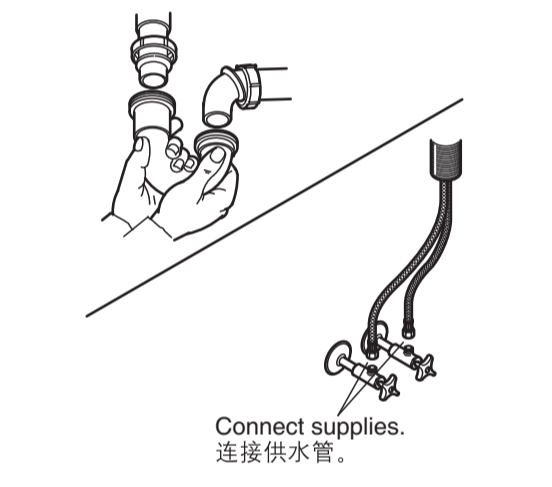


- Wipe away the excess sealant and allow to dry.

- Install the accessories, if applicable.

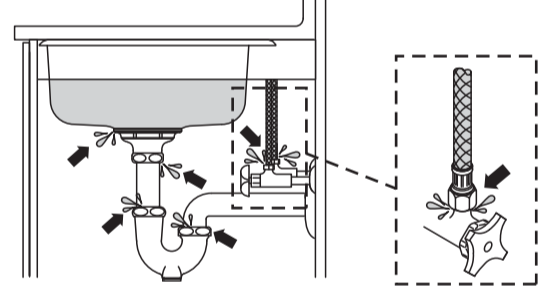
- Make the drain connections.

- Run water into the sink and check for leaks.



- Run water into the sink and check for leaks.

- Run water into the sink and check for leaks.



### CARE AND CLEANING

- For best results, keep the following in mind when caring for your KOHLER product:
- Always test your cleaning solution on an inconspicuous area before applying to the entire surface.
  - Wipe surfaces clean and rinse completely with water immediately after applying cleaner. Rinse and dry overspray that lands on nearby surfaces.
  - Do not allow cleaners to sit or soak.
  - Use a soft, dampened sponge or cloth. Never use an abrasive material such as a brush or scouring pad to clean surfaces.
  - Do not use abrasive cleansers or acidic solvents on surfaces as they may cause surface dullness or discoloration.
  - Wipe your product with a soft cloth after each use to prevent a buildup of soap and scum.
  - Extreme heat such as that generated by cigarettes or portable heaters can damage surfaces. Do not use such items near your product.

### 保养和清洁指南

- 为达到最佳使用效果，请按照以下要求护理您的科勒产品。
- 在使用清洁剂清洗整个产品表面前，请先在产品的不显眼处试用。
  - 试用清洁剂后，请立刻用清水清洗和漂洗产品表面。同时请清洗并擦干溅于产品四周的清洁剂。
  - 请勿用清洁剂浸泡或长时间停留于产品表面。
  - 使用柔软湿润的海绵或布。请勿使用刷子或百洁布等磨损性材料擦拭产品表面。
  - 请勿在表面使用磨擦性清洁工具或酸性溶液，以免使产品表面褪色或失去光泽。
  - 每次使用后，请用柔软的布擦拭产品表面，以避免皂液或泡沫的堆积。
  - 由香烟或使用便携式加热器等物品所产生的高热会损坏表面。请勿在产品附近使用此类物品。

1486889-T01-A